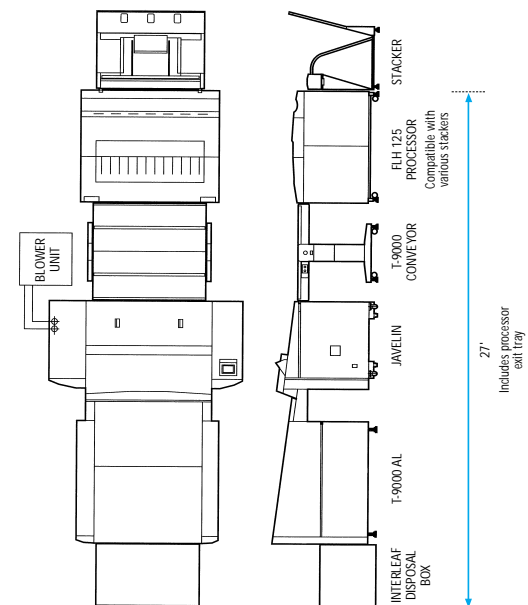


OPTION SPECIFICATIONS

- T-9000 AL Single-Cassette Auto-Loader**
- PLATE TRANSPORT**
 • Fully automatic loading and automatic interleaf removal
- CASSETTE CAPACITY**
 • 100 plates
- CLEANING FUNCTION**
 • Cleaning roller (cleans both surfaces of plates)
- PRODUCTIVITY**
 • 11 plates/hr. (1030 x 800mm) at 2,400 dpi, including punching
- DIMENSIONS**
 • 69^{1/4}"W x 83^{1/2}"D x 51"H
- WEIGHT**
 • 1,166 lbs.
- POWER**
 • Single phase 200-230V ±10% 1kW 5A
- ENVIRONMENT**
 • 73.4 ±3.6°F
 40-70% (no condensation)
- UPGRADE PATHS**
 • Manual to T-9000 AL or T-9000 MAL
 • T-9000 AL to T-9000 MAL

- STANDARD ACCESSORIES**
 • Plate cassette and carrier
 • Interleaf paper collection box
- OPTIONS**
 • Additional plate cassettes and carriers (with cassette dust covers)

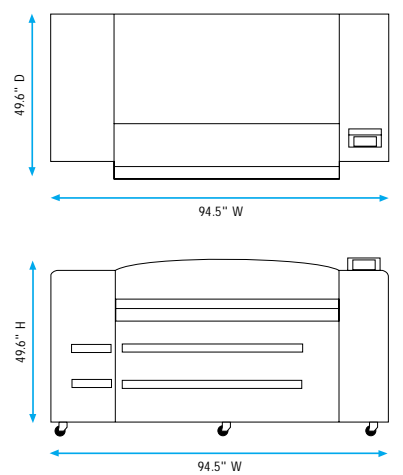


SPECIFICATIONS

- Javelin Luxel T9000 CTP**
- RECORDING SYSTEM**
 • External drum
- RESOLUTIONS**
 • 1200 dpi • 2438 dpi
 • 2400 dpi • 2540 dpi
 • 2000 dpi • 4000 dpi
- REPEATABILITY**
 • ±5 microns (±0.2mil.)*
- LIGHT SOURCE**
 • Infrared 830 nm LD 32 ch
- PLATE SIZE**
 • Minimum: 21^{3/8}" x 25^{3/8}"
 • Maximum: 37" x 45^{5/8}"
- EXPOSURE SIZE**
 • Minimum: 20^{7/32}" x 25^{3/8}"
 • Maximum: 36^{7/32}" x 45^{5/8}"
- MEDIA**
 • Thermal (infrared sensitive) plates
- MEDIA THICKNESS**
 • 8 to 12 gauge (0.2 to 0.3mm)
- IMAGING TIME**
 • 12 plates/hr at 2400 dpi

- INTERFACE**
 • Fast PIF
- CASSETTE CAPACITY**
 • 100 plates
- PUNCH (OPTIONAL)**
 • Heidelberg, Komori, and others
- ENVIRONMENT**
 • 68°F to 78°F
 • 40% to 70% relative humidity
- DIMENSIONS**
 • 94^{1/2}"W x 49^{3/8}"D x 49^{3/8}"H
- POWER REQUIREMENTS**
JAVELIN
 • Single phase 200-230V 4.0kW 30AMP
BLOWER
 • Single phase 200-230V 2.0kW 10AMP
- OPTIONS**
 • T-9000 AL auto-loader, T-9000 MAL multi-cassette, and T-9000 in-line conveyer

* Over four consecutive exposures on one plate at 73.4°F and 60% relative humidity.



1285 Hamilton Parkway, Itasca, IL 60143
 630-773-7200 800-877-0555 FAX 630-773-7999
 www.fujifilm.com

©2000 Fuji Photo Film, U.S.A., Inc. Printed in U.S.A. Photographed, separated, proofed and printed using Fujifilm products. Specifications subject to change without notice. All trademarks are the property of their respective holders.

JAVELIN-5

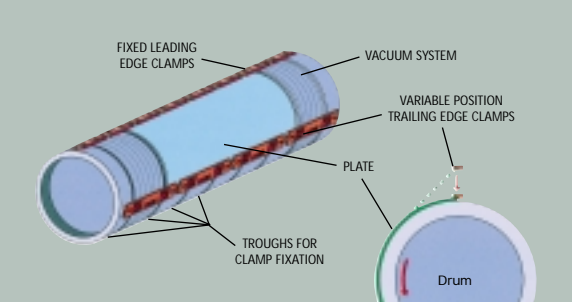


JAVELIN
 THE
ULTRA-FAST
 EXTERNAL DRUM
 THERMAL PLATESETTER

The advanced optical and clamping system of Javelin images thermal plates with superior quality, productivity and, versatility. The precision external drum recording technologies used on Javelin have resulted in a device that images faster than competitive recorders. Javelin is able to output up to 12 plates per hour at 2400 dpi. To provide the flexibility to accept a wide variety of jobs, Javelin outputs at six different resolutions from 1200 to 4000 dpi. It automatically adjusts to many different plate sizes and punches them with your choice of an optional plate punch system.



- JAVELIN FEATURES**
- 12 plates/hr at 2400 dpi.
 - Large 37" x 45^{5/8}" 8-up format.
 - Automatic drum balancing enables recording of different plate sizes with no manual adjustments.
 - Six resolution levels from 1200 to 4000 dpi to fit a wide variety of jobs.
 - Unique two-tray system for semi-automatic plate loading and unloading.
 - Optional punch block configurations for a variety of plate sizes and press configurations.
 - Compact design.
 - Automatic loading and unloading options.



ADVANCED CLAMPING SYSTEM IS THE SECRET TO JAVELIN'S SPEED

An advanced, automated, light-weight clamping and vacuum system is the secret of Javelin's superior speed and productivity. This system keeps plates fully secure even at Javelin's rapid rotation speeds. As the drum spins up to 1,000 rpms, the laser images in 32-channels creating the ultimate in thermal productivity. Javelin's plate securing system allows much faster spin speeds. Automatic variable positioning of trailing edge clamps means that a wide range of plate sizes can be accommodated automatically.

JAVELIN

THE
PERFECT RECORDER
FOR THERMAL PLATES

Though CTP started with light-sensitive plates, thermal plates are clearly the up and coming media of choice. They offer crisper, sharper dots, don't require darkroom processing, and support longer run lengths. Javelin is not limited to delivering the fastest thermal plate output speeds available. It can do it at a full range of standard resolutions and for a wide range of plate sizes. Javelin is the perfect recorder to reap all the benefits of thermal imaging.

MAKING
Digital Platesetting
WORK

FUJIFILM BRILLIA THERMAL PLATES

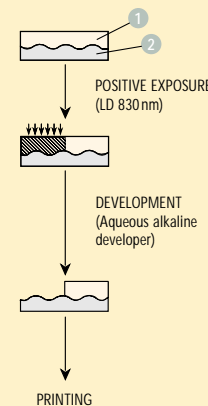
As you make the transition to CTP, you can count on Fujifilm to provide digital plates that deliver the same on-press performance as our industry-leading conventional plates. All of our digital plates utilize the same aluminum base as the conventional PS-Plate product line and incorporate Fujifilm's patented MultiGrain technology. Brillia Plates give you the quality, consistency and reliability you expect from Fujifilm.



BRILLIA LH-PI THERMAL PLATE

- Medium-run-length plate (less than 300,000 impressions)
- IR laser sensitive
- Does not require pre- or post-baking
- Compatible with UV inks

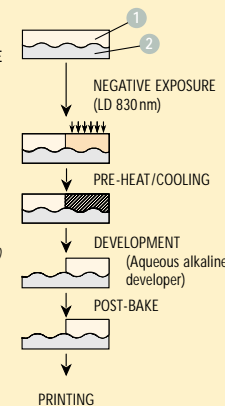
1. Infra-red sensitive layer
2. Anodized aluminum support (MG MultiGrain)



BRILLIA LH-NI THERMAL PLATE

- Long run plate (1,000,000 impressions or more)
- IR laser sensitive
- Requires pre- and post-baking

1. Infra-red sensitive layer
2. Anodized aluminum support (MG MultiGrain)



THE JAVELIN THERMAL PLATE WORKFLOW



Javelin is supported by the Fujifilm CelebraNT RIP and Rampage RIP.

1
RIPPED JOB TRANSFERS across fast PIF interface.

2

THERMAL PLATE IMAGES

Javelin can produce 12 plates/hr at 2400 dpi.



3

PRESS-READY PLATE

Javelin semi-automatically or fully-automatically* loads, punches, exposes and unloads thermal plates that are ready for press.

* With auto-loader and conveyor option.

AUTO-BALANCE TO FIT DIFFERENT PLATE SIZES



Javelin is designed to fit smoothly into your workflow. Auto-balance enables recording of different sized plates with no manual adjustment. All you do is input or select the type of plate you want to use and the Javelin

automatically makes the necessary adjustments to create perfect drum balance for each plate size you use. It can handle a wide variety of plate sizes, from 21 1/8" x 25 5/8" (550 x 650mm) all the way up to 37" x 45 5/8" (940 x 1,160mm), making it easy to tailor plate output to the job at hand.

AUTOMATIC INTERNAL PUNCH



Javelin can even punch your plates for you just before imaging, with your choice of optional internal punch block systems that provide exceptional repeatability. You can mount eight punch blocks and select punches based

on plate sizes and press type. A variety of suitable punches are available. The Javelin can change between two punch configurations automatically as required by the automatic media settings.

AUTOMATIC LOADING AND UNLOADING OPTIONS



The Javelin can be configured for fully automatic, continuous operation with the optional T-9000 AL single-cassette auto-loader and the T-9000 Conveyor, and plates can still be loaded manually. One cassette can hold up to 100 plates and interleaf sheets. The single-cassette auto-loader can be

upgraded to a multi-cassette auto-loader, which can hold up to five plate cassettes.

Javelin's T-9000 AL single-cassette auto-loader and multi-cassette auto-loader feature an interleaf removal system. The system automatically routes the interleaf paper to the disposal area, and plates to the platesetter. Since plates are vacuum-gripped from the back for transport, there is no risk of scratching.

FUJIFILM
GRAPHIC SYSTEMS

1-800-877-0555

www.fujifilm.com